

Technical data sheet

Product features



Cooking range solid top gas with electric static oven

Model	SAP Code	00020646
STPST 780/21 GE	A group of articles - web	Stoves



- Device type: Combined unit
- Power consumption of the zone 1 [kW]: 8,5
- Power consumption of the zone 2 [kW]: 6,6
- Power consumption of the zone 3 [kW]: 4
- Ignition: Piezo + Eternal Flame
- Type of internal part of the appliance 1 (eg oven): Electric
- Type of internal part of the appliance 2 (eg oven): Static
- Material: AISI 304 top plate and cladding

SAP Code	00020646	Type of gas	Natural gas, propane butane
Net Width [mm]	800	Number of zones	3
Net Depth [mm]	730	Power consumption of the zone 1 [kW]	8,5
Net Height [mm]	900	Power consumption of the zone 2 [kW]	6,6
Net Weight [kg]	122.60	Power consumption of the zone 3 [kW]	4
Power electric [kW]	6.300	Type of internal part of the appliance 1 (eg oven)	Electric
Loading	400 V / 3N - 50 Hz	Type of internal part of the appliance 2 (eg oven)	Static
Power gas [kW]	19.100	Ceramic glass dimensions [mm]	370 x 545

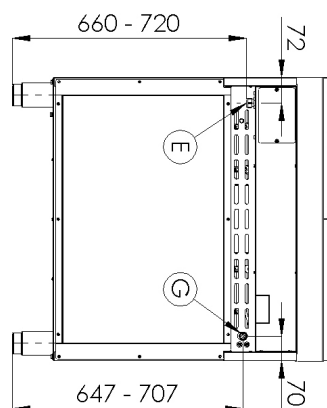
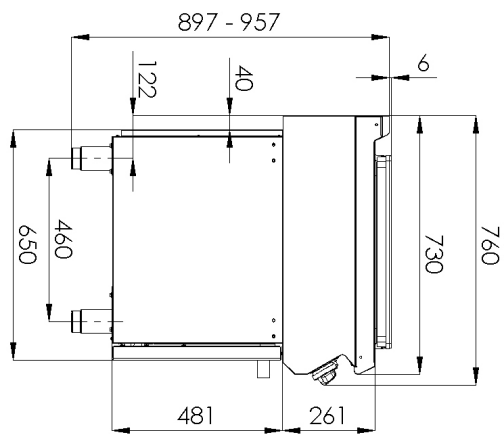
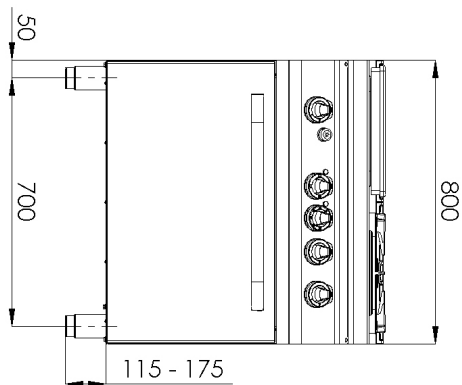
Technical data sheet

Technical drawing



Cooking range solid top gas with electric static oven

Model	SAP Code	00020646
STPST 780/21 GE	A group of articles - web	Stoves



Technical data sheet

Technical parameters



Cooking range solid top gas with electric static oven

Model	SAP Code	00020646
STPST 780/21 GE	A group of articles - web	Stoves

1. SAP Code:

00020646

2. Net Width [mm]:

800

3. Net Depth [mm]:

730

4. Net Height [mm]:

900

5. Net Weight [kg]:

122.60

6. Gross Width [mm]:

840

7. Gross depth [mm]:

800

8. Gross Height [mm]:

1080

9. Gross Weight [kg]:

132.50

10. Device type:

Combined unit

11. Construction type of device:

Stationary

12. Power electric [kW]:

6.300

13. Loading:

400 V / 3N - 50 Hz

14. Power gas [kW]:

19.100

15. Ignition:

Piezo + Eternal Flame

16. Type of gas:

Natural gas, propane butane

17. Exterior color of the device:

Stainless steel

18. Material:

AISI 304 top plate and cladding

19. Worktop type:

Molded - comfortable cleaning maintenance

20. Worktop material:

AISI 304

21. Worktop Thickness [mm]:

1.50

22. Number of zones:

3

23. Power consumption of the zone 1 [kW]:

8,5

24. Power consumption of the zone 2 [kW]:

6,6

25. Power consumption of the zone 3 [kW]:

4

26. Grid material:

Cast iron

27. Service accessibility:

Trough the frontal panel

28. Safety thermocouple:

Yes

Technical data sheet

Technical parameters



Cooking range solid top gas with electric static oven

Model	SAP Code	00020646
STPST 780/21 GE	A group of articles - web	Stoves

29. Adjustable feet:

Yes

30. Number of burners/hot plates:

3

31. Type of gas cooking zones:

Fire protection to install + Classic burners

32. Burner type:

Brass, detachable

33. Oven Type:

electrical static

34. Oven power electric [kW]:

6.30

35. Oven size:

GN 2/1

36. Type of internal part of the appliance 1 (eg oven):

Electric

37. Type of internal part of the appliance 2 (eg oven):

Static

38. Gasket:

Yes

39. Solid top thickness [mm]:

30

40. Ceramic glass dimensions [mm]:

370 x 545

41. Solid top ignition:

Piezo + Eternal Flame

42. Connection to a ball valve:

1/2

43. Cross-section of conductors CU [mm²]:

1